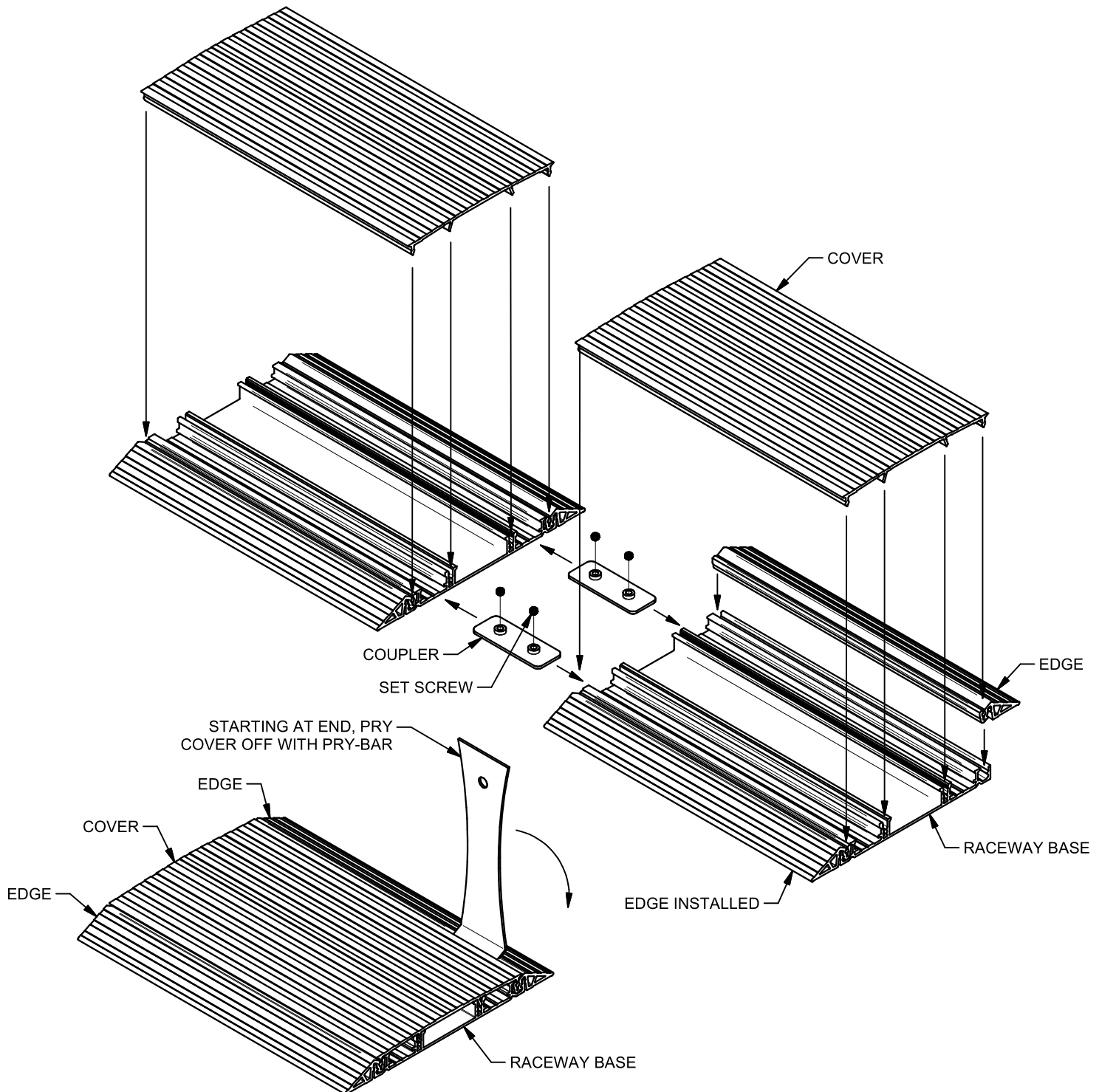
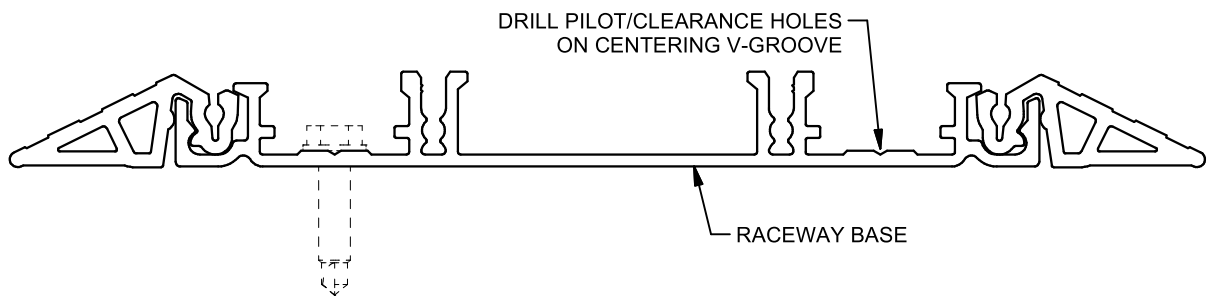
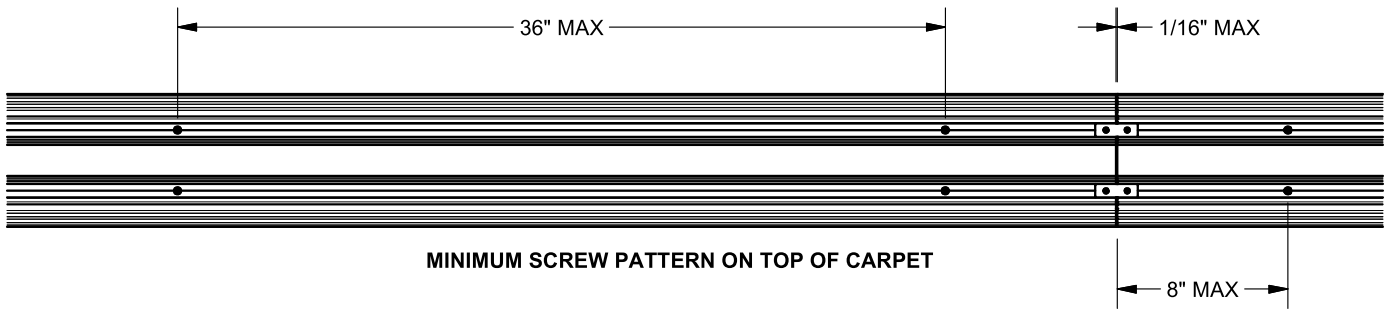
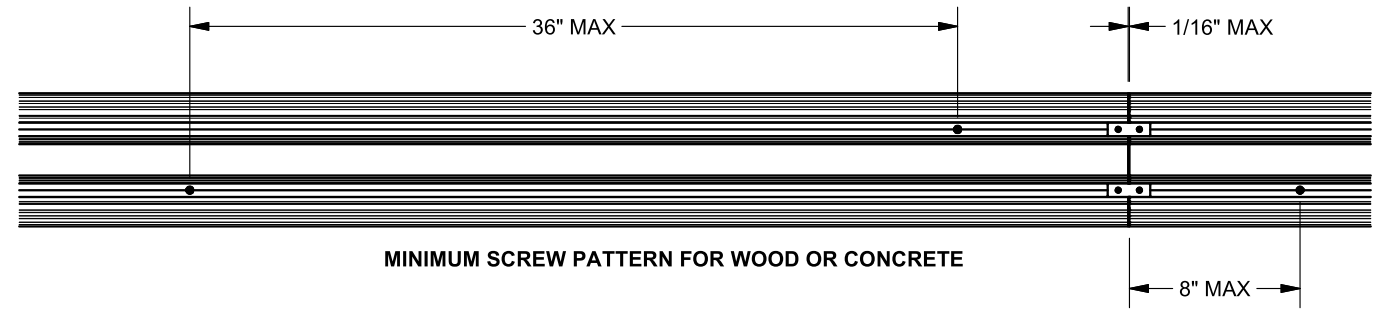


1. INSTALL RACEWAY BASE AS REQUIRED. DRILL PILOT/CLEARANCE HOLES IN RACEWAY BASE AS REQUIRED AND USE APPROPRIATE HARDWARE TO SECURE TO FLOOR (SEE BACK PAGE).
2. IF REQUIRED, INSTALL SET SCREWS INTO COUPLERS AND INSTALL. TIGHTEN SET SCREWS TO SECURE.
3. WIRE AS PER RACEWAY SYSTEM INSTALLATION INSTRUCTIONS.
4. INSTALL EDGE INTO RACEWAY BASE AS REQUIRED.
5. INSTALL COVER. USE A PRY-BAR TO REMOVE COVER.

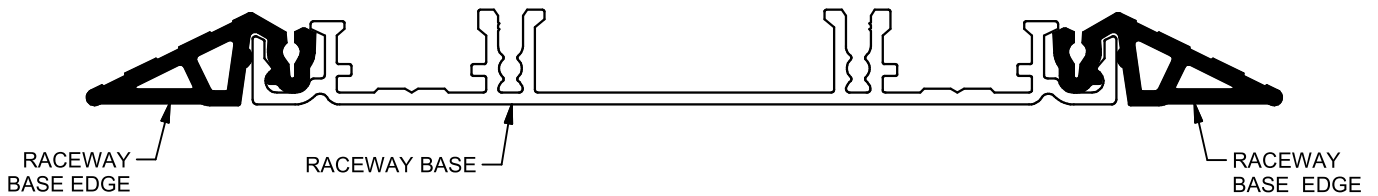


**MOUNTING THE RACEWAY:**

STARTING AT THE WALL, CUT AND DEBURR UNIT BASE AS NEEDED. CONNECT SECTIONS OF BASE TOGETHER WITH THE TWO PROVIDED CONNECTORS, AND TIGHTEN SET SCREWS TO ENSURE GROUNDING. THERE MUST BE NO MORE THAN 1/16" GAP BETWEEN SECTIONS. DRILL PILOT HOLES THROUGH BASE AND INTO FLOOR TO ATTACH BASE TO FLOOR SURFACE WITH THE APPROPRIATE MOUNTING SCREWS FOR THE SURFACE TYPE. SCREWS SHALL BE NO SMALLER THEN #8, AND SPACED NO MORE THEN 36" APART AND 8" AWAY FROM ANY JOINT. INSTALL A SUPPLIED END STOP AT THE END OF THE RACEWAY.



**RACEWAY BASE EDGE PROFILES**



**EDGE #1:** USED WHEN THE RACEWAY BASE IS SITTING DIRECTLY ON THE CONCRETE/WOOD/COMPOSITE-STYLE FLOOR SURFACE, WITH NO OTHER FLOOR COMPONENTS OR THICKNESS BEING HIGHER THAN THE FLAT FLOOR SURFACE.



**EDGE #2:** USED WHEN THE RACEWAY BASE IS MOUNTED TO A SUB-FLOOR SURFACE, AND ANOTHER FLOOR COVERING (EXAMPLE: LINOLEUM, THIN PILE CARPET, ETC) IS APPLIED TO THE FLOOR AFTER THE RACEWAY BASE IS IN PLACE, THIS COVERING BEING BROUGHT RIGHT UP TO THE SIDE OF THE RACEWAY BASE, BUT NOT AS HIGH AS THE RACEWAY BASE OUTER WALL.



**EDGE #3:** USED WHEN THE RACEWAY BASE IS MOUNTED TO A SUB-FLOOR, AND THE FLOOR COVERING (EXAMPLE: CERAMIC TILE, TERRAZZO, ETC) IS THICK ENOUGH THAT IT REACHES, OR SLIGHTLY EXCEEDS THE HEIGHT OF THE RACEWAY BASE OUTER WALL.